



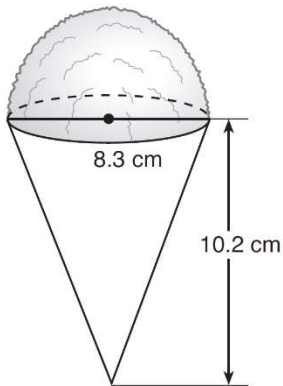
Name _____
Mr. Schlansky

Date _____
Geometry

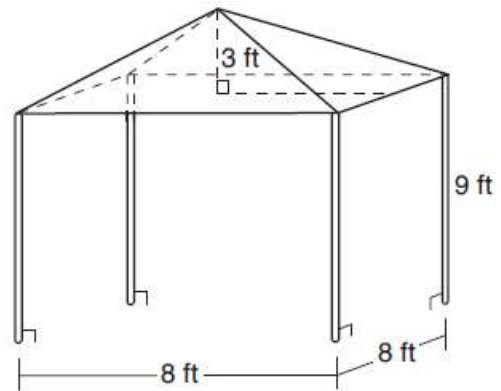
Compound Volume

Find the compound volume of the following shapes rounded to the *nearest tenth of a unit*.

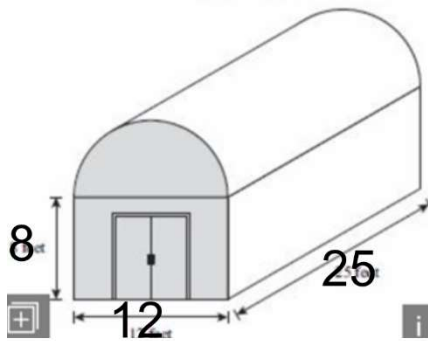
1.



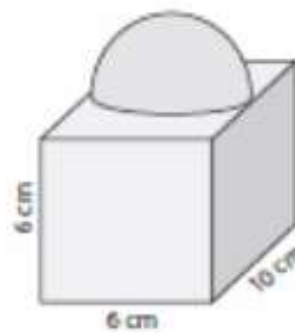
2.



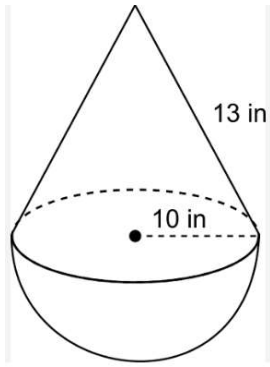
3.



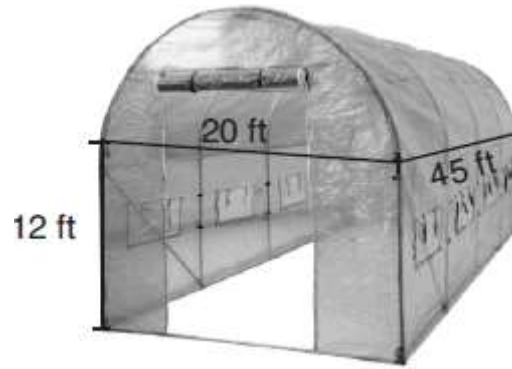
4.



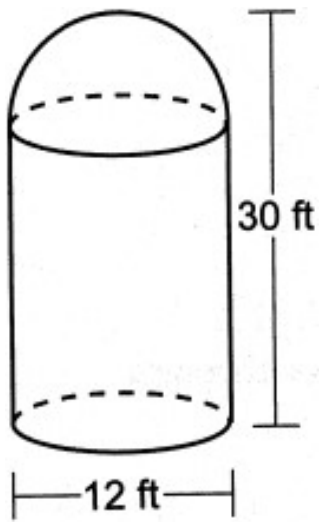
5.



6.



7.



8.

