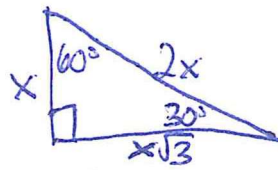
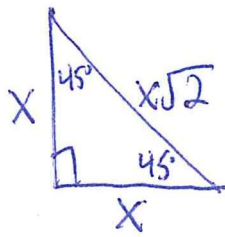


Name Schlansky  
 Mr. Schlansky

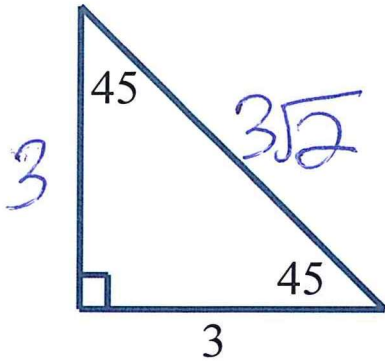


Date \_\_\_\_\_  
 Algebra II

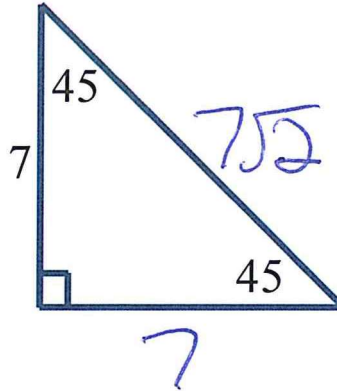
## Special Right Triangles

Fill in the two missing sides of each of the following triangles.

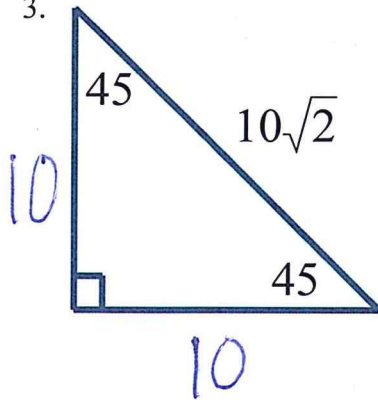
1.



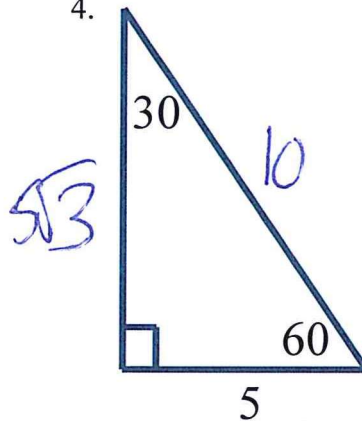
2.



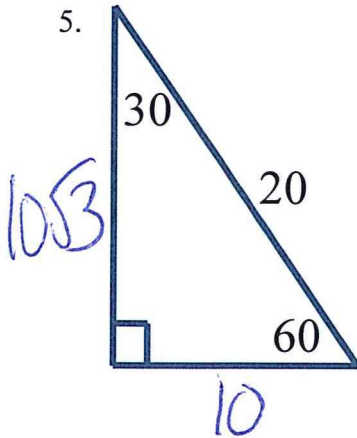
3.



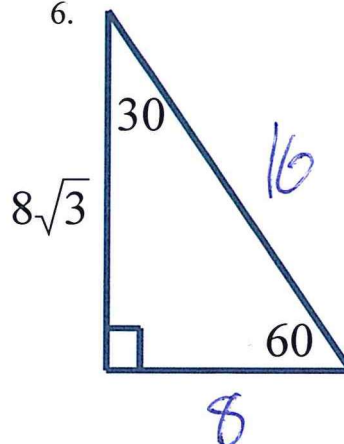
4.



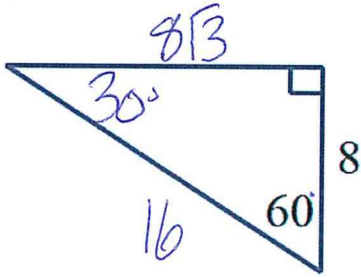
5.



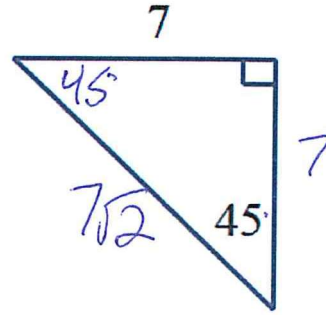
6.



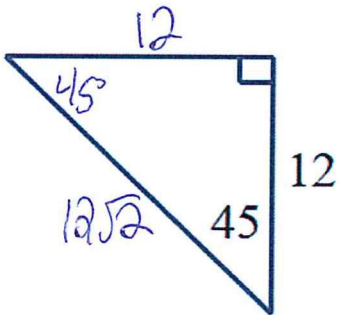
7.



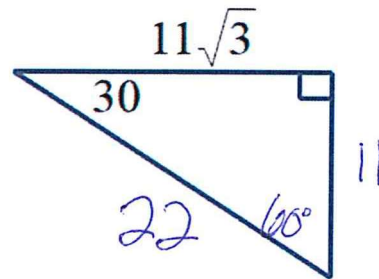
8.



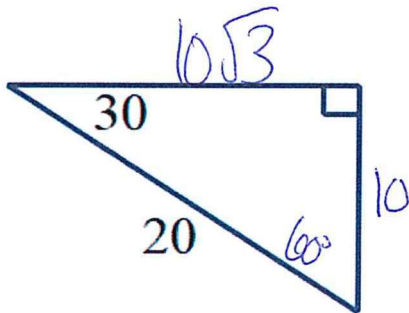
9.



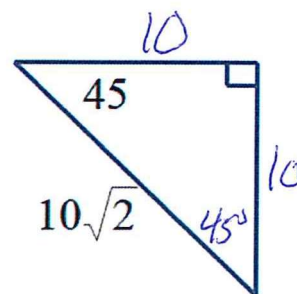
10.



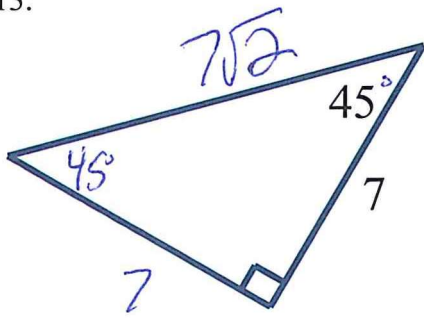
11.



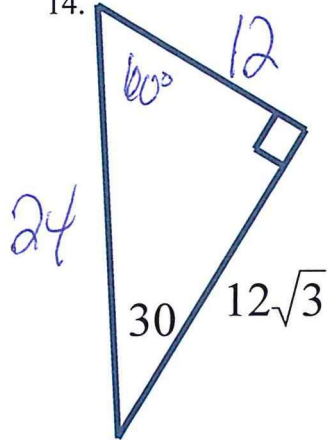
12.



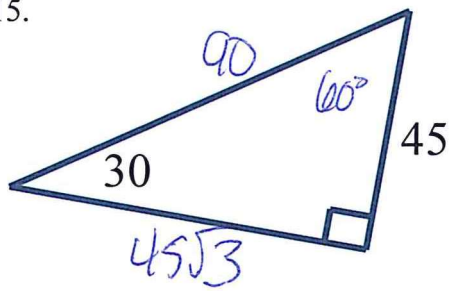
13.



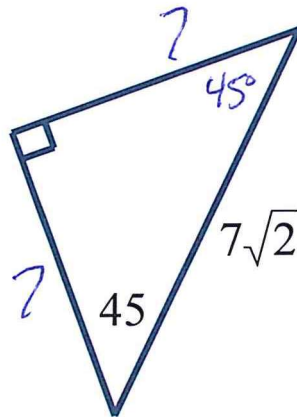
14.



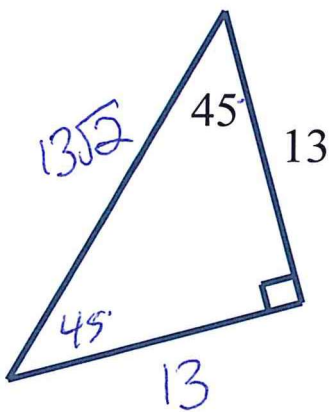
15.



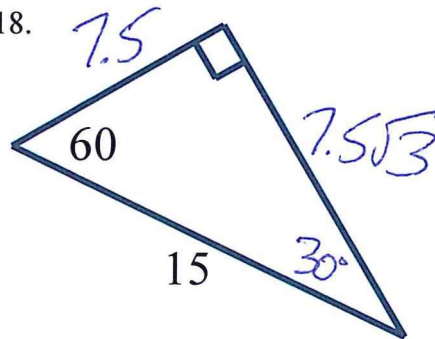
16.

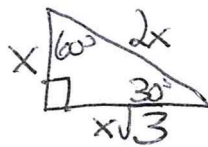
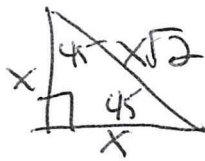


17.



18.

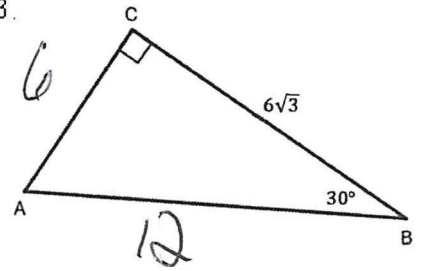




19. In right triangle  $ABC$  below,  $m\angle C = 90^\circ$ ,  $m\angle B = 30^\circ$ , and  $CB = 6\sqrt{3}$ .

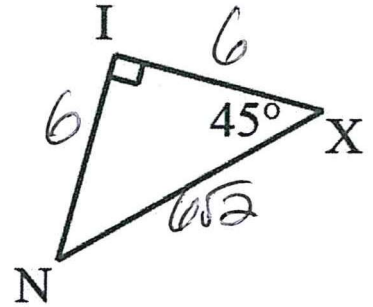
The length of  $\overline{AB}$  is

- 1)  $3\sqrt{3}$   
 2) 9  
 3) 12  
 4)  $12\sqrt{3}$



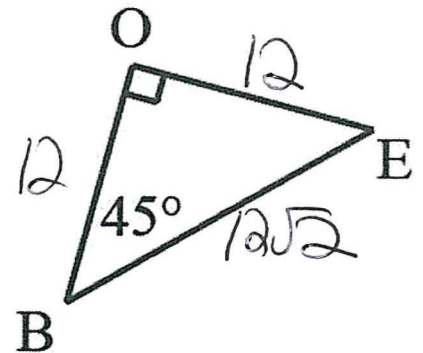
20. In right triangle  $NIX$  below,  $m\angle I = 90^\circ$ ,  $m\angle X = 45^\circ$ , and  $\overline{NX} = 6\sqrt{2}$ . Find  $\overline{IX}$ .

- 1)  $6\sqrt{2}$   
 2) 6  
 3)  $12\sqrt{2}$   
 4) 12



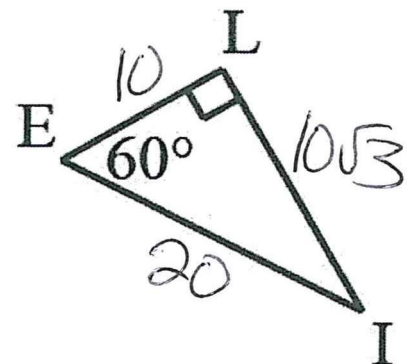
21. In right triangle  $BOE$  below,  $m\angle O = 90^\circ$ ,  $m\angle B = 45^\circ$ , and  $\overline{OE} = 12$ . Find  $\overline{BE}$ .

- 1) 12  
 2)  $12\sqrt{3}$   
 3)  $12\sqrt{2}$   
 4) 24



22. In right triangle  $BOE$  below,  $m\angle L = 90^\circ$ ,  $m\angle E = 60^\circ$ , and  $\overline{IE} = 20$ . Find  $\overline{LI}$ .

- 1)  $20\sqrt{3}$   
 2) 10  
 3)  $10\sqrt{3}$   
 4) 20



Rationalize the denominator for each of the following

23.  $\frac{7\sqrt{3}}{\sqrt{2}}$   $\frac{7\sqrt{2}}{2}$

24.  $\frac{2\sqrt{3}}{\sqrt{3}\sqrt{3}}$   $\frac{2\sqrt{3}}{3}$

25.  $\frac{6\sqrt{2}}{\sqrt{2}\sqrt{2}}$   $\frac{6\sqrt{2}}{2}$   
 $3\sqrt{2}$

26.  $\frac{12\sqrt{3}}{\sqrt{3}\sqrt{3}}$   $\frac{12\sqrt{3}}{3}$   
 $4\sqrt{3}$

Find the missing sides for each of the triangles below in simplest radical form

